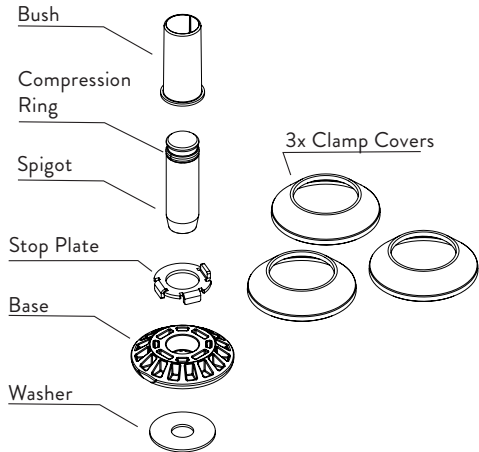


FLO THROUGH DESK INCLUDING ROTATION STOP INSTRUCTIONS

DYN/013/AS12

PARTS INCLUDED

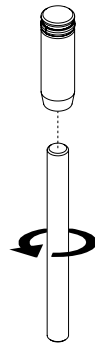


www.colebrookbossonsaunders.com

1 TIGHTEN FIXING STUD INTO SPIGOT

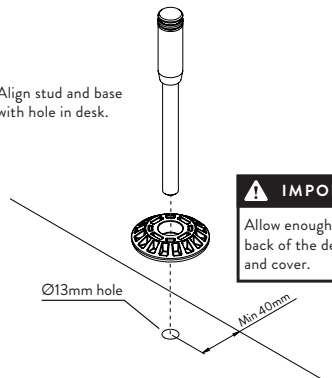
NOTE
Fixing Kit WSH/100S12/K or WSH/50S12/K to be ordered separately. An alternative choice of fixing can also be used.

IMPORTANT NOTE
Ensure that stud is screwed fully into spigot.



2 POSITION FIXING STUD AND BASE THROUGH DESK HOLE

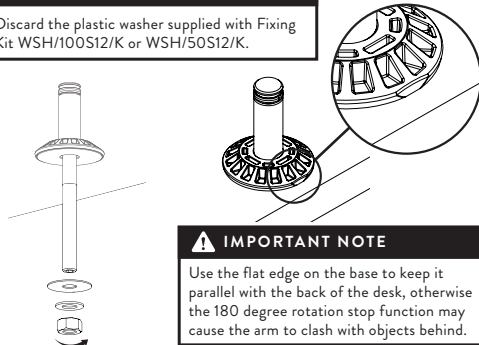
Align stud and base with hole in desk.



IMPORTANT NOTE
Allow enough space to the back of the desk for the base and cover.

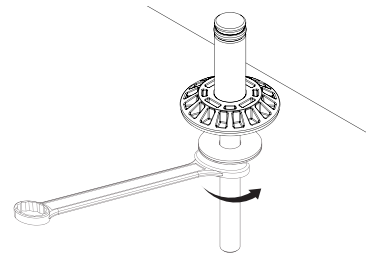
3 LIGHTLY TIGHTEN WASHERS AND NUT AGAINST THE UNDERSIDE OF THE DESK

IMPORTANT NOTE
Discard the plastic washer supplied with Fixing Kit WSH/100S12/K or WSH/50S12/K.



IMPORTANT NOTE
Use the flat edge on the base to keep it parallel with the back of the desk, otherwise the 180 degree rotation stop function may cause the arm to clash with objects behind.

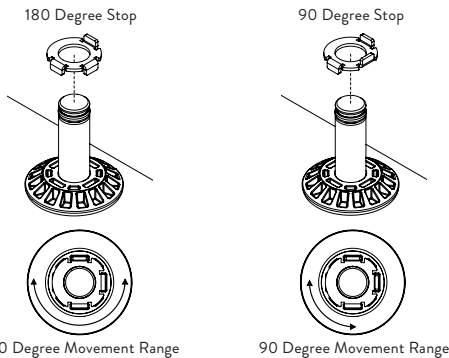
4 FULLY TIGHTEN WASHERS AND NUT AGAINST THE UNDERSIDE OF THE DESK



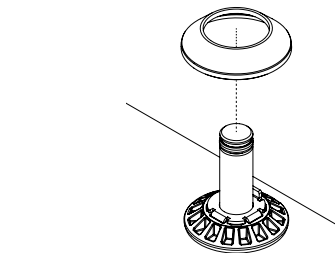
5 INSTALL STOP PLATE

NOTE
If 360 degree rotation is required, discard Stop Plate and go to step 6.

IMPORTANT NOTE
Remove compression ring from spigot before installing stop plate. Ensure this is re-installed afterwards.

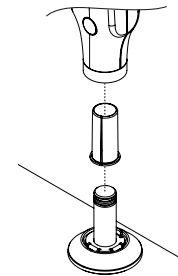


6 INSTALL COVER SUITABLE FOR COLOUR REQUIRED



BLACK ARM - INSTALL BLACK COVER
WHITE ARM - INSTALL LIGHT GREY COVER
SILVER ARM - INSTALL DARK GREY COVER

7 INSTALL BUSH AND ARM ONTO CLAMP



NOTE
Refer to instructions supplied with specific monitor arm for full installation and adjustment details.

WARNING

- Do not use this product for any purpose other than that for which it was designed.
- Ensure desk/work surface is suitable to take the weight of the arm/s and monitors.
- Supported weight must not exceed the maximum load per arm.
- Take care when installing as fingers could become trapped.

MAINTENANCE AND INSPECTION

- Ensure all screws and fixings are fully tightened and occasionally re-tighten if necessary.
- Clean with a damp cloth. DO NOT use solvents.

DISCLAIMERS

- The use of power tools, lever bars or excessive force during the installation, or re-configuration of the product will invalidate your guarantee.
- Failure to observe the recommendations in the use, and configuration of these products may affect your guarantee.
- As part of Colebrook Bosson Saunders ongoing product improvement programme, the design of products may change without prior notice and details may vary from those illustrated.

PATENTS

Colebrook Bosson Saunders hold a number of patents and other intellectual property rights covering our products and processes. You can find patent information on our website at:
www.colebrookbossonsaunders.com/patents

Please consider leaving these instructions with the product if further installation may be required by others

DYN-013-AS12-INST-A-DEC 2020

